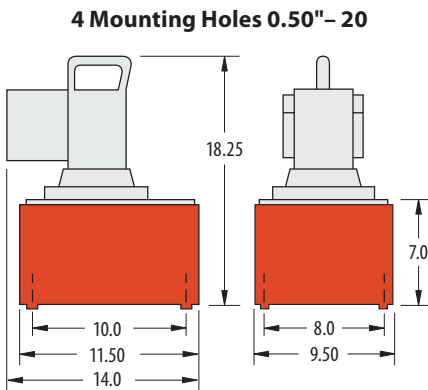


Stressing Systems

STRESSING JACKS & HYDRAULIC PUMPS

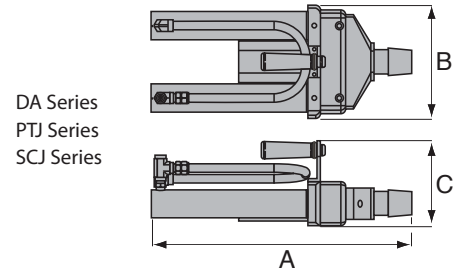
JACK MODEL	SYSTEM (110V) PART NUMBER	SYSTEM (220V) PART NUMBER	PUMP MODEL	STRAND DIAMETER RANGE	TOOL CAPACITY (TONS)	JACK TYPE	SEATER TYPE	STROKE (IN ²)	EFFECTIVE CYLINDER AREA (IN ²)	JACK WEIGHT (LBS)
PTJ-5S	232301	232302	GTI PTP-2.5 W/ 9500 VALVE	.250-.50	20	SINGLE ACTING	SPRING	10	4.48	55
PTJ-5P	232306	232307	GTI PTP-2.5 W/ 9628 VALVE	.250-.50	20	SINGLE ACTING	POWER	10	4.48	55
PTJ-6S	232401	232402	GTI PTP-2.5 W/ 9500 VALVE	.250-.62	30	SINGLE ACTING	SPRING	10	6.28	76
PTJ-6P	232406	232407	GTI PTP-2.5 W/ 9628 VALVE	.250-.62	30	SINGLE ACTING	POWER	10	6.28	76
5DA1	232101	N/A	GTI PTP-2.5 W/ 9628 VALVE	.250-.50	20	DOUBLE ACTING	POWER	8.5	6.28	42
6DA1	232201	232206	GTI PTP-2.5 W/ 9628 VALVE	.250-.62	30	DOUBLE ACTING	POWER	8.5	7.95	52
5SCJ	232321	232326	GTI PTP-2.5 W/ 9500 VALVE	0.5	20	SINGLE ACTING	NO SEATER	10	4.48	40

JACK MODEL	SYSTEM LEGEND	PRIMARY APPLICATION
PTJ-5S	POST-TENSIONING JACK - 0.5" STRAND DIAMETER WITH SPRING SEATER	SLAB-ON GRADE
PTJ-5P	POST-TENSIONING JACK - 0.5" STRAND DIAMETER WITH POWER SEATER	SLAB-ON GRADE
PTJ-6S	POST-TENSIONING JACK - 0.6" STRAND DIAMETER WITH SPRING SEATER	SLAB-ON GRADE
PTJ-6P	POST-TENSIONING JACK - 0.6" STRAND DIAMETER WITH POWER SEATER	SLAB-ON GRADE
5DA1	DOUBLE ACTING JACK - 0.5" STRAND DIAMETER WITH POWER SEATER	ELEVATED AND COMMERCIAL CONSTRUCTION
6DA1	DOUBLE ACTING JACK - 0.6" STRAND DIAMETER WITH POWER SEATER	ELEVATED AND COMMERCIAL CONSTRUCTION
5SCJ	0.5" STRAND DIAMETER SHORT CABLE JACK	REPAIR / REMEDIATION



Note: All dimensions are in inches

FLOW AT RATED PRESSURE:
60 in³/min
MOTOR SIZE:
1.125 hp
MAXIMUM OPERATING PRESSURE:
10,000 psi



DA Series
PTJ Series
SCJ Series

DIMENSIONS (IN)			
MODEL NO.	A	B	C
PTJ5	21.0	9.0	6.50
PTJ6	22.0	10.20	7.0
5DA1	18.50	7.50	6.50
6DA1	18.50	8.50	6.50
5SCJ	12.0	8.30	4.80

All advance and retract hydraulic ports are 0.375" NPTF.